

Heavy Duty Series

Full Port Brass Ball Valve with Cap, Male Hose Thread x Female NPT

Feature:

- ✓ Thread conform to ANSI B1.20.1
- ✓ Forged Full Port C46500 Brass body
- ✓ Blow out proof stem design
- ✓ Packing nut, O-ring & packing on the stem seal
- ✓ Stainless Steel Ball
- ✓ Handle with vinyl grip
- ✓ Compatible with Water, Oil, Steam applications
- ✓ Chained hex head brass cap included

Pressure Rating:

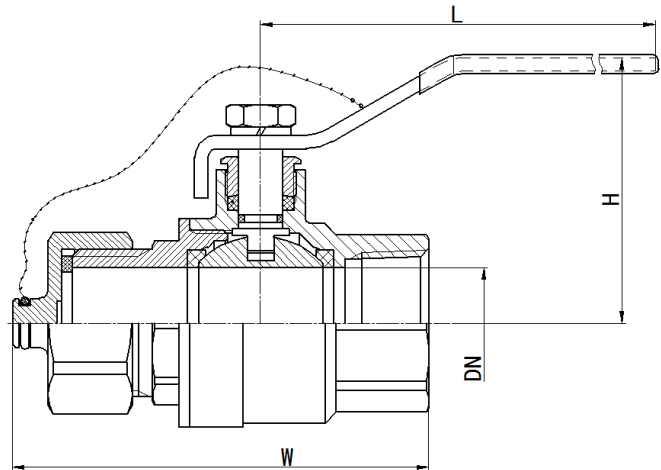
- 600 psi (CWP) 150 psi (WSP)
- Temperature range: -20°F to 300°F

Approvals:

IAPMO NSF/ANSI-61, NSFANSI-372, IGC-157
CSA NSF/ANSI-61, NSFANSI-372, IGC-157

Materials List:

Part Name	Material
Body	Lead Free Brass
Seat	PTFE
Ball	Brass Chrome plated
Stem O-ring	NBR
Packing Nut	Brass
Stem	Brass
Lock Nut	Ferromagnetic Zinc plated
Lock Washer	Ferromagnetic Zinc plated
Packing	PTFE
Handle	Ferromagnetic Chrome plated
Gasket	EPDM
Cap	Lead Free Brass
Chain	Plated Steel



Part#	Size	DN	L	H	W
5415LF	3/4"	0.748	4.29	2.09	3.43

*Unit in Inch



WARNING: This product can expose you to chemicals including lead, which is known to the State of California to cause cancer. For more information go to www.P65Warnings.ca.gov.